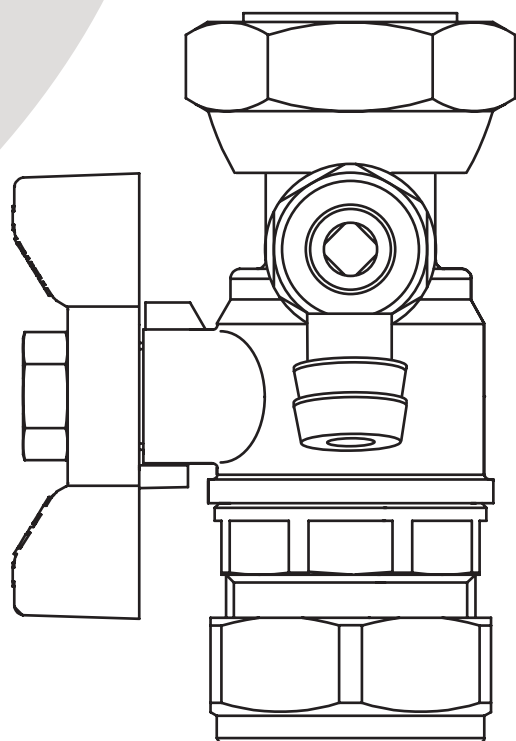


# PVA34W

isolation valve with drain



altecnic

# PVA34W isolation valve with drain

## Introduction

In an unvented domestic hot water system the expansion vessel is installed in the cold water supply pipe close to the hot water cylinder or calorifier or in the return to the boiler in heating systems.

Expansion vessels are designed to absorb the increase in volume of water created by thermal expansion as the temperature rises.

A domestic hot water system is a 'closed system' when it is isolated from the public water supply by a uni-directional valve such as a check valve, backflow preventer or pressure reducing valve.

To absorb the increase in volume of water within the storage cylinder provision must be made for the expansion by fitting a suitably sized expansion vessel.

As the pressure in the system changes the pre-charge pressure will allow water into the expansion vessel or force it out again.

## Design

The PVA34W has been specifically designed to allow for the expansion vessel to be fitted easily and conveniently to the system.

The brass ball valve is lever operated through 90°, with bi-directional flow.

Full bore.

Hard chrome plated ball for increased wear resistance.

PTFE body seats for reliable isolation.

Anti blow-out stem.

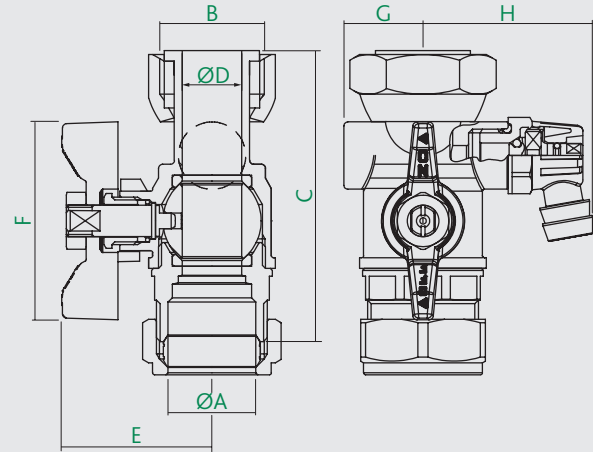
The compact design requires a minimum of space and includes several useful features.

The valve has a female union connection to fit to the expansion vessel and a compression joint to connect to the pipework making a secure joint.

The isolating ball valve allows the expansion vessel to be isolated from the system.

The drain feature allows the expansion vessel to be drained of liquid should the expansion vessel need to be removed for any reason, minimising any water spillage during removal.

## Dimensions



Ref No	ØA	B	C	D	E	F	G	H
PVA34W	22	G <sup>3</sup> / <sub>4</sub>	73.5	15	38	50	20	43

The PVA34W valve enable 3 functions to be performed easily.

- A union connection for easy fitting
- Isolation should the expansion vessel need to be removed
- Drain facility to allow the expansion vessel to be drained without draining the circuit or system.

## Technical Specification

Pressure temperature rating based on: BS EN 1254

Maximum working pressure:  
10 bar @ 65°C  
6 bar @ 110°C  
5 bar @ 120°C

Compression connection: BS EN 1254

Threaded connection: BS EN ISO 228

Body material: BS EN 12420 CW617N

© Patents & Design Altecnic 2021

Altecnic Ltd retains all rights (including patents, designs and copyrights, trademarks and any other intellectual property rights) in relation to all information provided on or via the website, brochures or any other documents, including all texts, graphics and logos, contained on the website, in brochures or in any other documents published in the name of or on behalf of Altecnic Ltd in any form, without prior written consent of Altecnic Ltd.

Altecnic Ltd Mustang Drive, Stafford, Staffordshire ST16 1GW

T: +44 (0)1785 218200 E: sales@altecnic.co.uk

Registered in England No: 02095101

altecnic.co.uk

AL 437 13-10-21

E & O.E

© Altecnic Limited. 2021

ALTECNIC™

altecnic