



PRODUCT RANGE

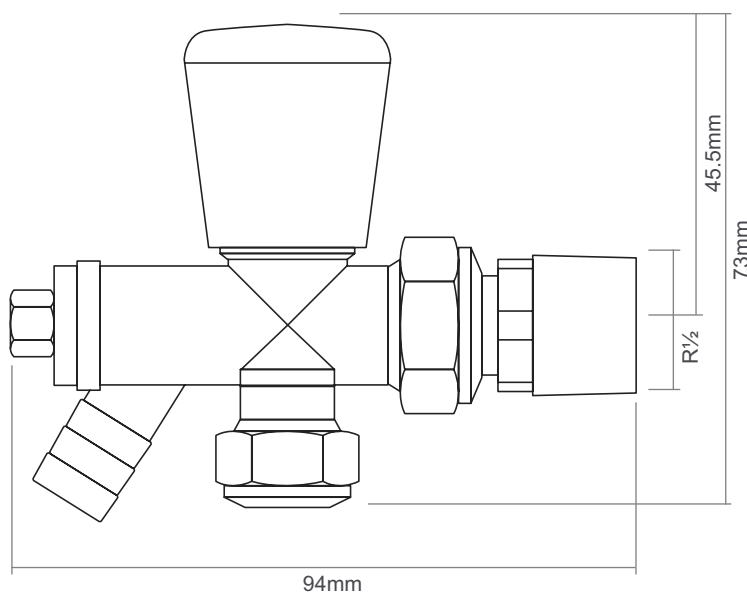
CODE:

MRV10DO

DESCRIPTION:

10mm Manual Rad Valve & Drain Off

Dimensions



Technical Specification

Max Operating Pressure	10 Bar
Maximum Inlet Temperature	100°