

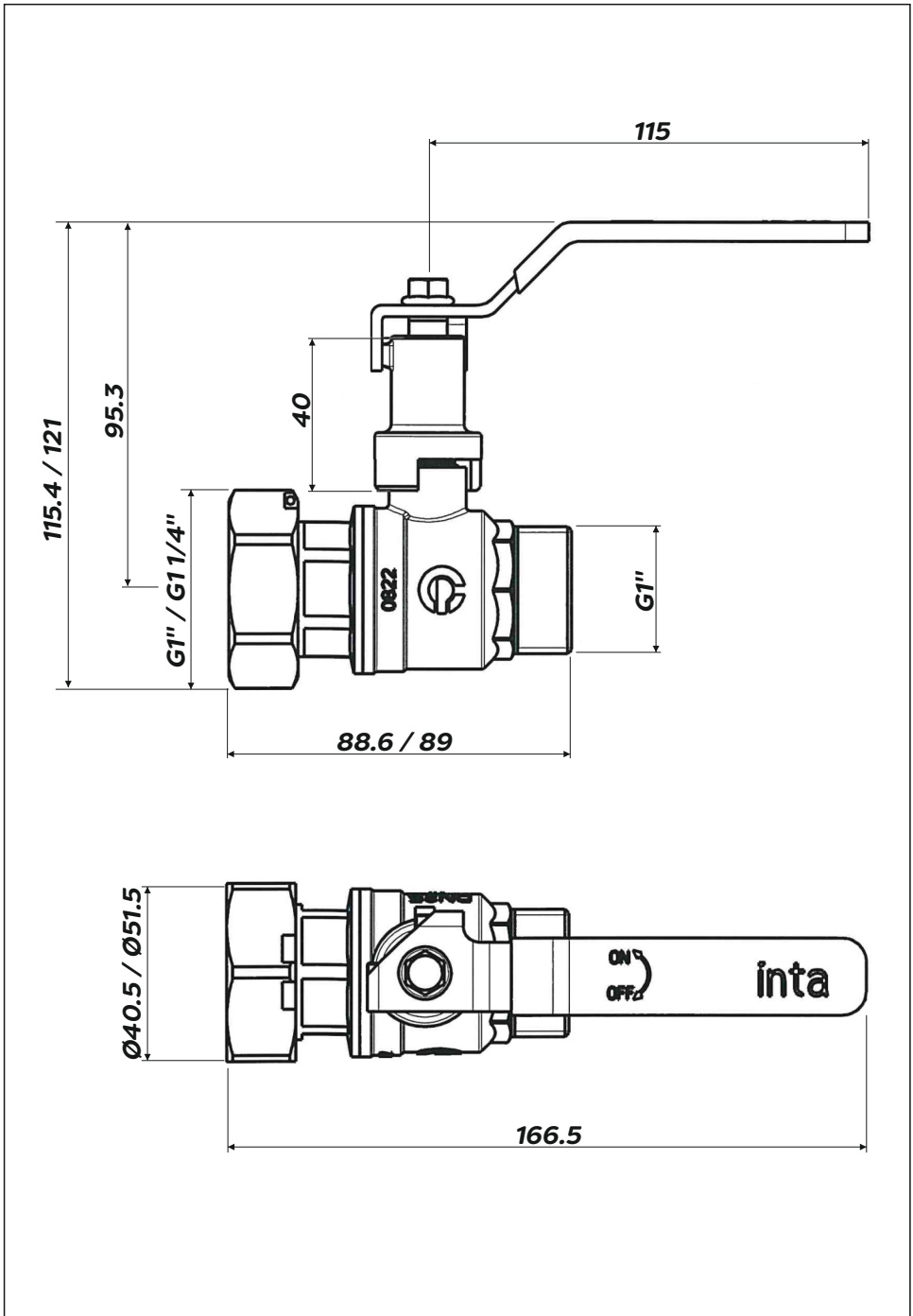


## Product

**HPBV11 - 1" Female Swivel x 1" Male Extended Lever Ball Valve**  
**HPBV114 - 1 1/4" Female Swivel x 1" Male Extended Lever Ball Valve**  
**EXTKIT - Lever Ball Valve Extension Kit**

## Technical Specification

<b>Max Inlet Pressure (static):</b>	<b>25 Bar</b>
<b>Working Temperature:</b>	<b>-10 to 90°C</b>
<b>Temperature Range:</b>	<b>-20 to 120°C</b>
<b>Thread Standard:</b>	<b>ISO228</b>



## Additional Information

**Solid brass construction**

**Extended lever ball valve handle for easy access, even with insulation**

**Pressure rating of PN25**

**Working temperature range of -10 to 90°C**

**ISO228 threads**