

OFV 7 ISOLATION VALVE

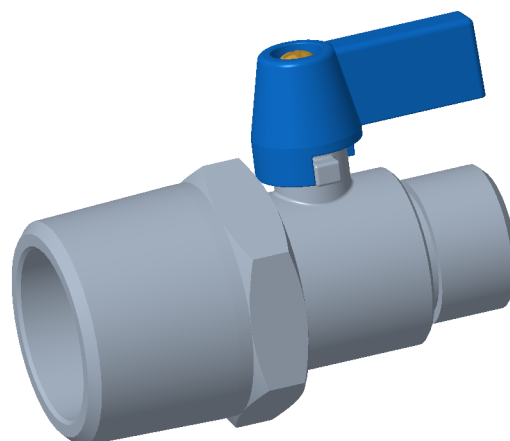
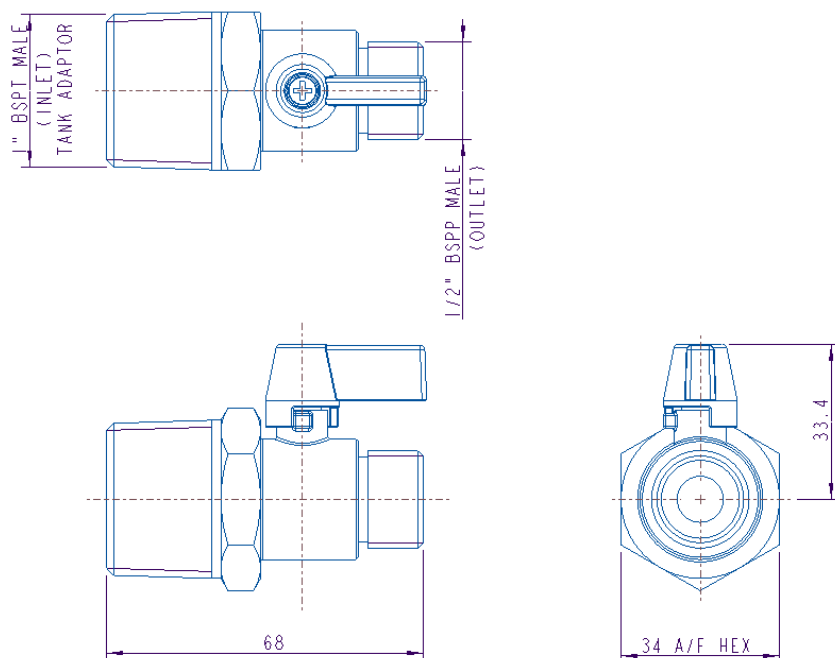
- Compact isolation valve.
- For use with the KBB Fire Valve range.
- Isolate tank supply to enable system servicing.
- Easy to install and compliments existing system.
- Fits directly to oil tank.

Application

For use on bottom take-off connections on steel or plastic domestic liquid heating fuel (LHF) tanks.

The isolating valve is positioned in the LHF feed pipe, usually near the tank, running to the boiler. This insures that the LHF supply can be quickly turned off, for example, during boiler servicing.

Outline Details



Technical Specification

Material:

Valve Body: Aluminium

Connection sizes:

In: 1" BSP

Out: 1/2" BSPP

Valve size: DN10

Weight: TBC

Media:

- Kerosene
- Biofuels
- Hydrotreated Vegetable Oil (HVO)

Operation: 90 degree lever rotation to 'off' condition (drawn in 'open' condition).



Smart Control Systems
for a Sustainable Future
part of the Teddington Group

Manufactured by
Teddington Appliance Controls Ltd

Part of the Teddington Group
Holmush · St. Austell · Cornwall · United Kingdom · PL25 3HG

Tel: +44 (0) 1726 222505 · Fax: +44 (0) 1726 222502

www.tedcon.com · info@tedcon.com



Iss B - 03/23