

HV heating

expansion vessels

8 to 140 litres



reflex

altecnic

HV heating expansion vessels - 8 to 140 litres



Introduction

Altecnic offer a complete range of expansion vessels to meet the requirements of most heating or cooling systems.

Expansion vessels for heating systems are manufactured to meet the requirements of PED 97/23/EC Directive and BS EN 13831:2007 'Closed expansion vessels with built in diaphragm for installation in water'.

Design

The two halves of the vessel and the diaphragm are retained by a crimped collar to give a pressure tight seal.

Non-replaceable diaphragm.

Epoxy coated in grey.

Suitable for flow temperatures up to 120°C, resistant to ethylene or propylene glycol mixtures and has low gas permeability.

Altecnic expansion vessels are all tested according to the Pressure Systems Directive.

How It Works

In a closed heating system water cannot be compressed so any increase in volume, created by an increase in temperature, has to be accommodated by an expansion vessel.

When water is cold, the pre-charge pressure forces the diaphragm against the tank towards the inlet.

As the temperature increases, the expanded water volume pushes against the diaphragm creating additional volume for the water to enter.

When the temperature decreases, the pre-charge pressure forces the water from the tank and back into the main heating system.

This maintains a constant pressure within the heating system helping to reduce energy consumption.

Materials

Component	Material
Shell	Carbon Steel
Connections	Carbon Steel
Diaphragm	Synthetic rubber compound
Coating	Powder Epoxy

Technical Specification

Max. working pressure	8 to 35 litres	3 bar
	50 to 140 litres	6 bar
Test pressure	1.5 x max working pressure	
Max. flow operating temperature	120°C	
Max. vessel operating temperature	70°C	
Factory pre-charge	1.5 bar - nitrogen	

E & O.E

Altecnic Ltd Mustang Drive, Stafford, Staffordshire ST16 1GW

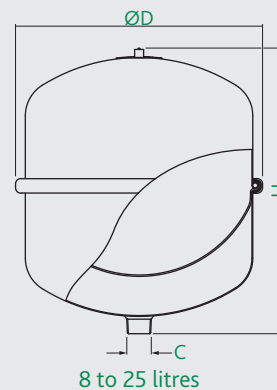
T: +44 (0)1785 218200 E: sales@altecnic.co.uk

Registered in England No: 2095101

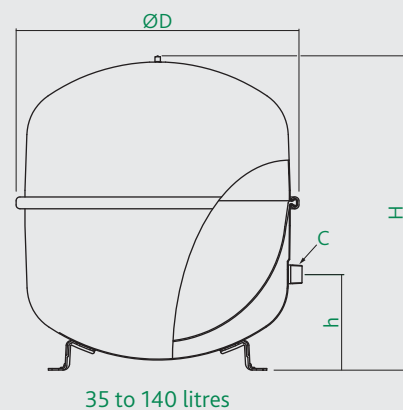
altecnic.co.uk

AL 109 01-07-14

Dimensions



Product Code	Capacity	ØD	H	C	Weight
	litres	mm	mm	Connection	kg
HV8C	8	272	235	R $\frac{3}{4}$	1.7
HV12C	12	272	315	R $\frac{3}{4}$	2.3
HV18C	18	308	365	R $\frac{3}{4}$	2.8
HV25C	25	308	485	R $\frac{3}{4}$	3.5



Product Code	Capacity	ØD	H	h	C	Weight
	litres	mm	mm	mm	Connection	kg
HV35C	35	376	465	130	R $\frac{3}{4}$	5.7
HV50C	50	441	495	175	R $\frac{3}{4}$	7.5
HV80C	80	512	570	175	R1	9.9
HV100C	100	512	680	175	R1	11.2
HV140C	140	512	895	175	R1	14.5

CE marked

Accessories - Vessels 8 to 25 litres

Wall bracket with retaining strap - RS MB